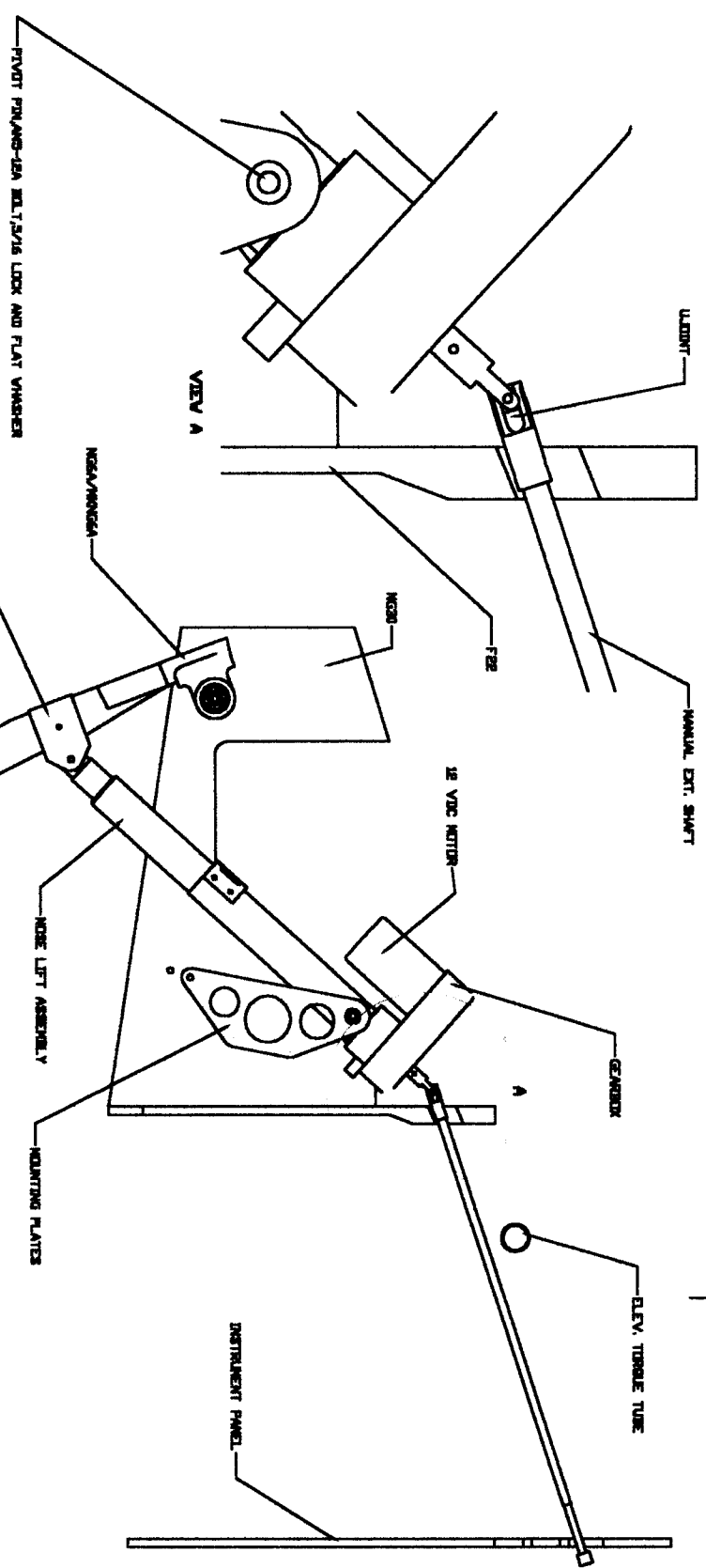


REV	DATE	DESCRIPTION	BY	CHKD



RETRACTION SYSTEM SPECIFICATIONS:

TOTAL WEIGHT: 18 LBS 3 OZ (INCLUDING CONTROL ELECTRONICS)

MAX EXTENSION TRAVEL: LOCK TO LOCK: 73"

RATED LOAD FOR 10000 RETRACTION CYCLES: 300 LBS AT THE WHEEL WHEN LIFTING FROM FULL RETRACTION.

MAX LOAD: 500 LBS AT THE WHEEL.

WHEN LIFTING FROM FULL RETRACTION, SPRING MAX LOAD SHALL BE 1700 LBS (340 LBS AT THE WHEEL, RETRACTED OR 600 LBS AT THE WHEEL, EXTENDED).

MOTOR CURRENT AT RATED LOAD: 9 AMPS.

NORMAL EXTENSION TIME: 81.4V, 80 SEC MAX.

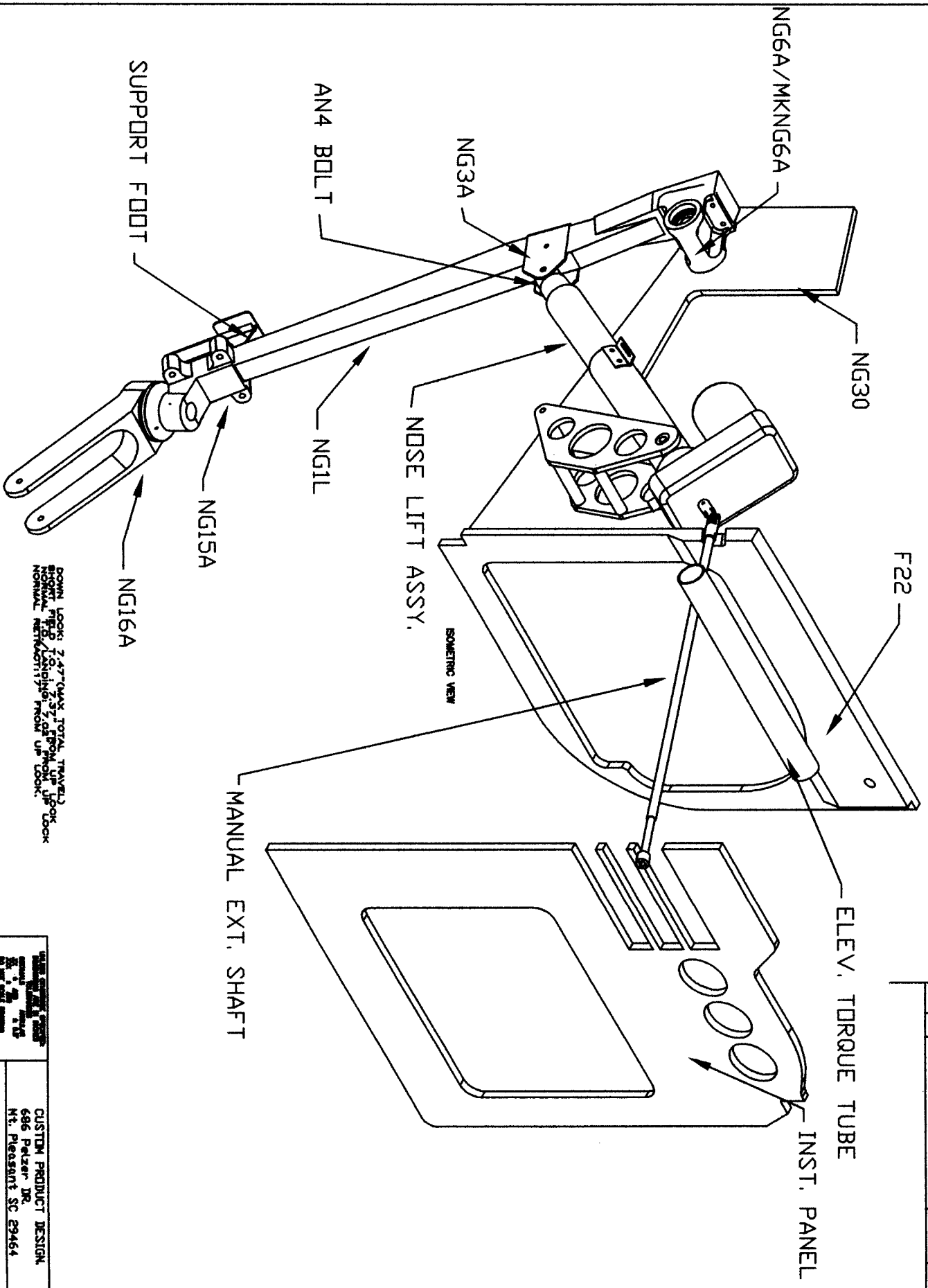
MANUAL EXTENSION TIME: AT 90K 60 IN LBS.

MANUAL EXTENSION TURNS: 25

- ITEMS INCLUDED IN NOSE GEAR RETRACTION STANDARD SYSTEM
1. RETRACT ASSEMBLY, INCLUDING GEARBOX, MOTOR, MOUNTING BRACKETS, PREWIRED MICRO SWITCHES AND CONNECTORS.
 2. MANUAL EXTENSION SHAFT WITH ULDENT.
 3. NOSE BRACKET
 4. SUPPORT FOOT BRACKETS (NEED)
 5. WINDING HARNESS WITH PANEL SWITCH, LED INDICATORS AND CONNECTORS.

REV	DATE	DESCRIPTION	BY	CHKD

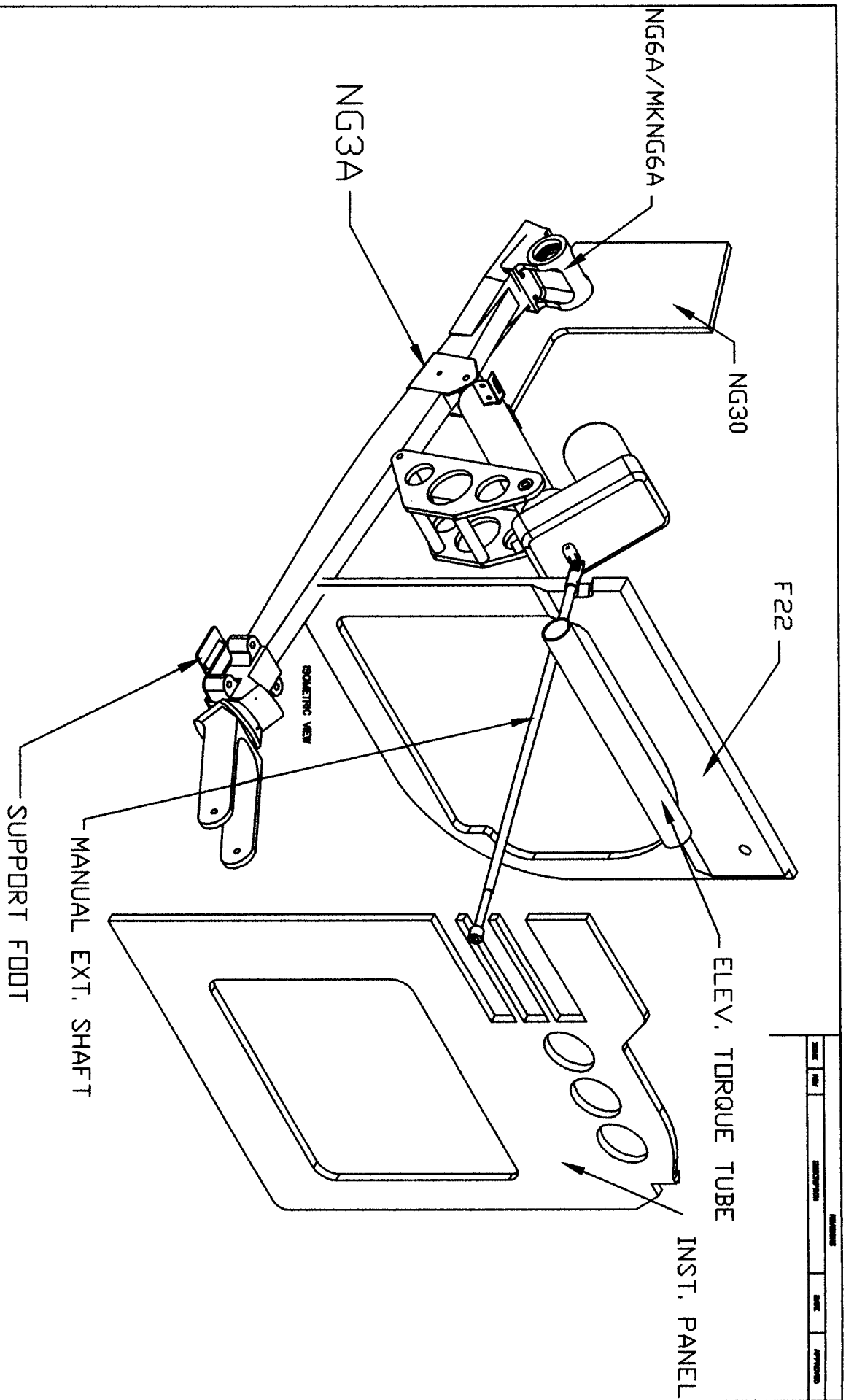
Copyright © 1988 Collins Proportional Controls, Inc. All Rights Reserved.



DOWN LOOK: 7.477" MAX TOTAL TRAVEL
 SHORT TRIP TO: 1.737" FROM UP LOOK
 NORMAL TRIP: 7.02" FROM UP LOOK
 NORMAL RETRACTIVITY FROM UP LOOK:

REV	DATE	DESCRIPTION	BY	APPROVED

NAME: CUSTOMER'S NAME ADDRESS: 686 Palzer, JR. HT. Pleasants, SC 29464		CUSTOMER PRODUCT DESIGN NAME: GEAR REDUCT ASSY - DOWN	
QTY	DATE	REV	BY
1	11/78	1	
1		2	



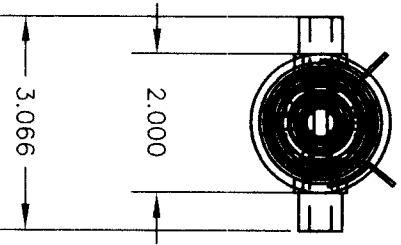
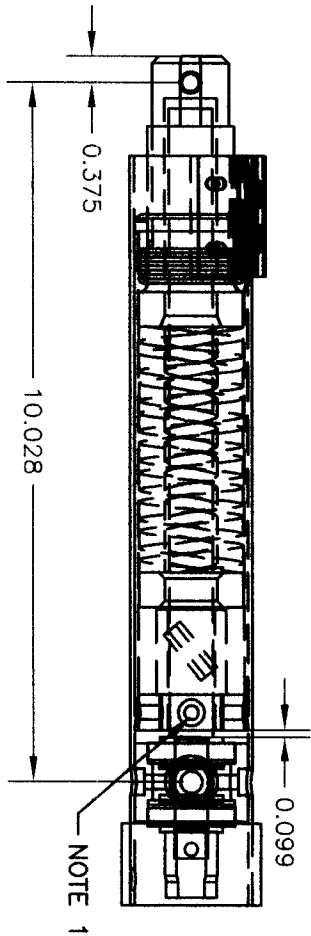
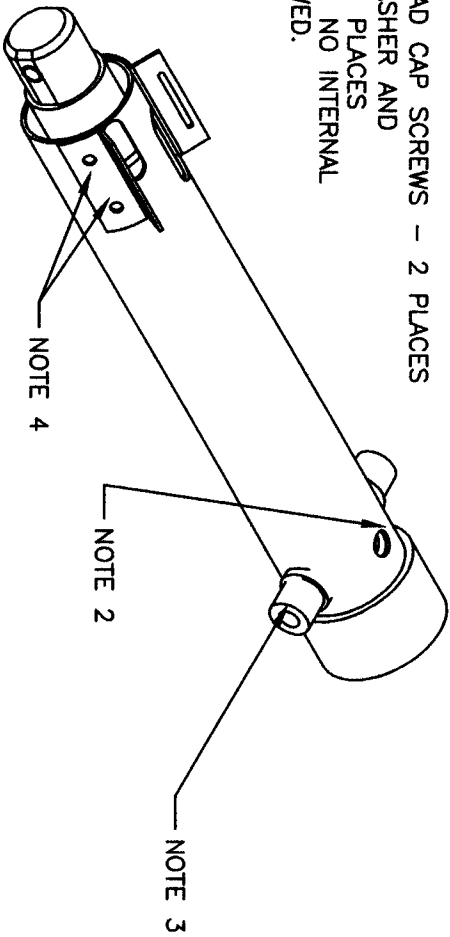
NOTE: F22, NG30, AND INSTRUMENT PANEL SHOWN CUTAWAY FOR CLARITY.

DOWN LOOK: 7.47" MAX TOTAL TRAVEL
 UP LOOK: 1.0" FROM UP LOOK
 NORMAL FWD LOOK: 7.02" FROM UP LOOK
 NORMAL RETNACHTY FROM UP LOOK.

DATE	REV	DESCRIPTION	BY	APPROVED

CUSTOM PRODUCT DESIGN 686 Pelzer, JR. Mt. Pleasant, SC 29464		INSTRUMENT ASSEMBLY - DOWN	
DATE	REV	DATE	REV

- NOTES:
- 3/8-16 3/8" LG ALLEN HEAD SET SCREWS MACHINED TO MATCH OUTER CIRCUMFERENCE OF BARREL. -4 PLACES.
 - 1/4-20 3/8" LG. ALLEN HEAD CAP SCREWS - 2 PLACES
 - ANS-12A BOLT, 5/16 SS WASHER AND 5/16 SPLIT LOCK WASHER. - 2 PLACES
 - SPOT WELD - FOUR PLACES, NO INTERNAL BARREL DEFORMATION ALLOWED.



DOWN LOOK: 2.47" (MAX TOTAL TRAVEL)
 FRONT VIEW TO 2.32" FROM UP OF LOCK
 NORMAL POSITION FROM UP OF LOCK

SIDE VIEW

DATE	REV	DESCRIPTION	DESIGNED	DRAWN	APPROVED

CUSTOM PRODUCT DESIGN 686 Pelzer Dr. Mt. Pleasant, SC 29464 BALL BEARING ASSEMBLY MACHINED PARTS		DATE 11/15/88 REV 1	DRAWN JLB CHECKED JLB APPROVED JLB
---	--	------------------------------	---