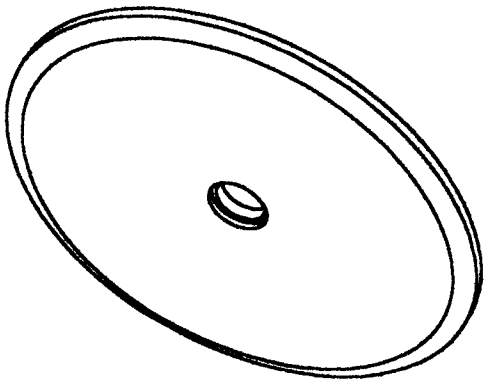
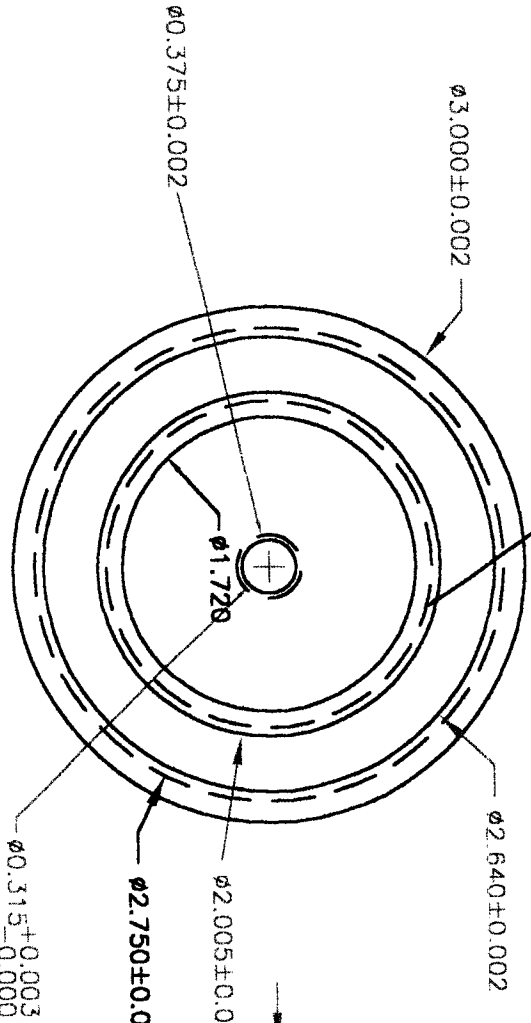


ISO TOP VIEW

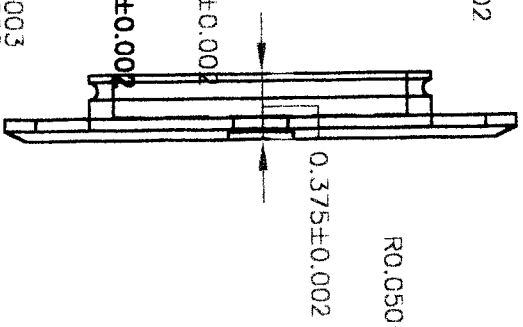


ISO BOTTOM VIEW

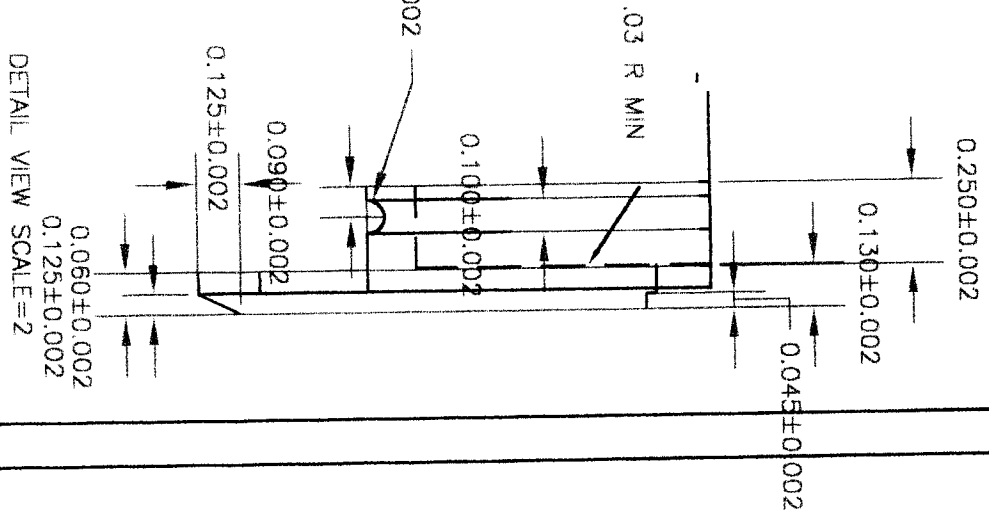
DEPTH OF ORING GROOVE MEASURED  
WITH ORING INSTALLED  
= 2.055" / 2.0655" O.D. OF ORING.



TOP VIEW



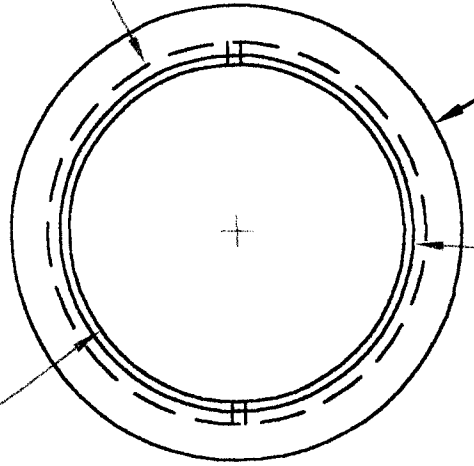
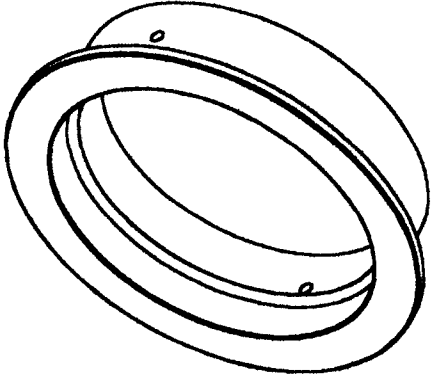
EDGE VIEW



DETAIL VIEW SCALE=2

MATERIAL: 2024 T3 ALUMINUM OR EQUAL  
TOTAL FINISHED VOLUME: .99 CU. IN.

DATE	05/25	AC FUEL TANK CAP
DESIGNER	AW	70750039007
CHECKED	AW	CAP.DWG
SCALE	1	



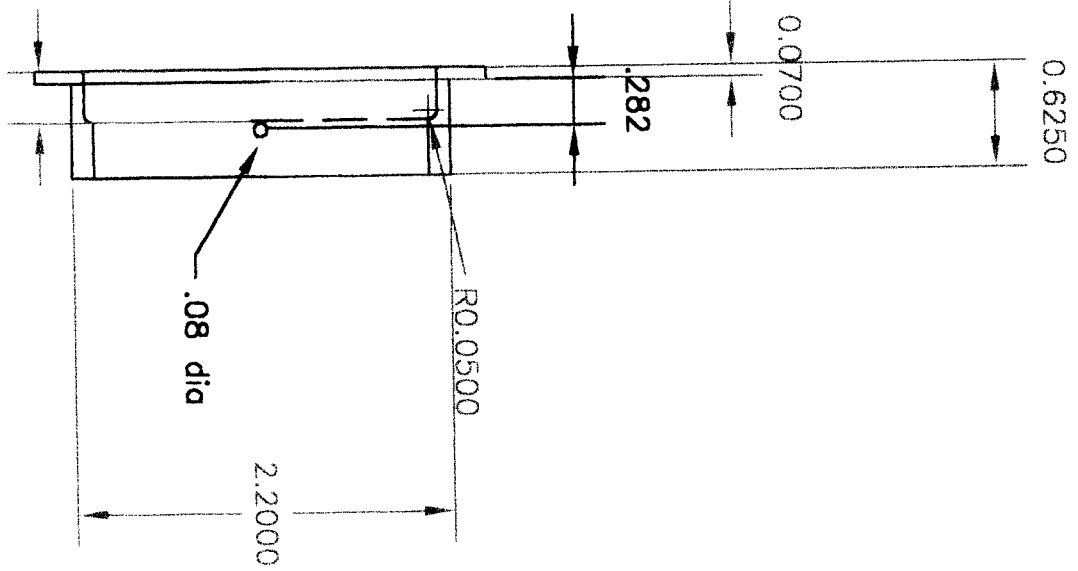
$\phi 2.6250^{+0.0050}_{-0.0100}$

$\phi 2.0550 \pm 0.0050$

$\phi 2.2000$

$\phi 1.9500$

BOTTOM VIEW



EDGE VIEW

REV	DATE	BY	CHKD	APP'D

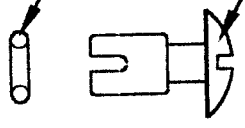
AC FUEL RECEPTACLE				
REV	DATE	BY	CHKD	APP'D
A	70750039008			
REV	DATE	BY	CHKD	APP'D

NOTES:

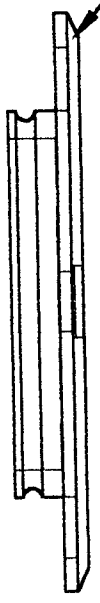
1. RING TERMINAL MAYBE ASSEMBLED BETWEEN SNAP RING AND CAP TO ATTACH RETAINING CABLE.

DZUS AJS-45

ORING .375x.063



CAP



.25" ID SNARRING



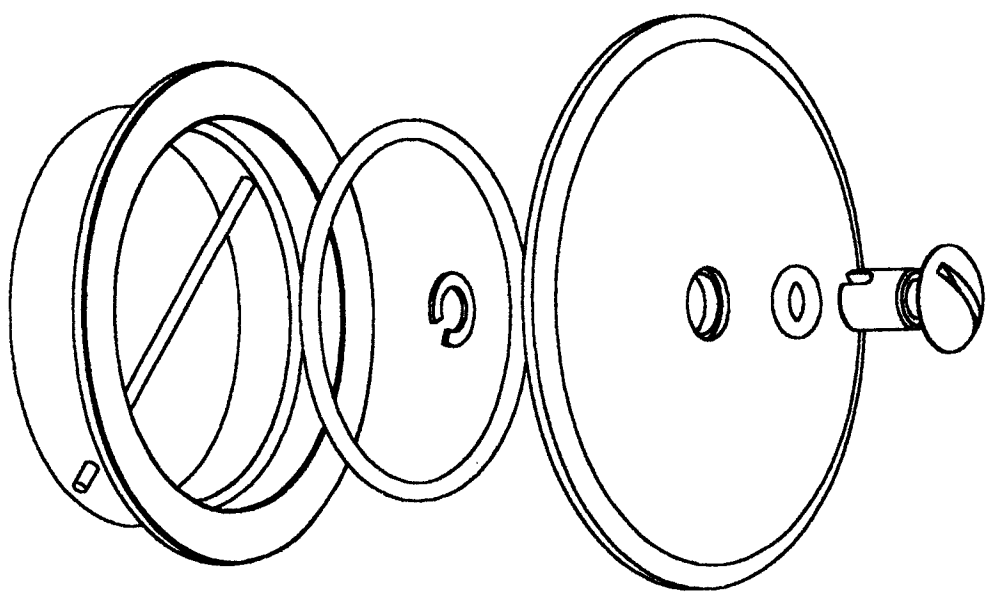
ORING 2.063x.1

RECEPTACLE



.072 D. SPRING

SIDE VIEW



ISD VIEW

FUEL CAP ASSEMBLY